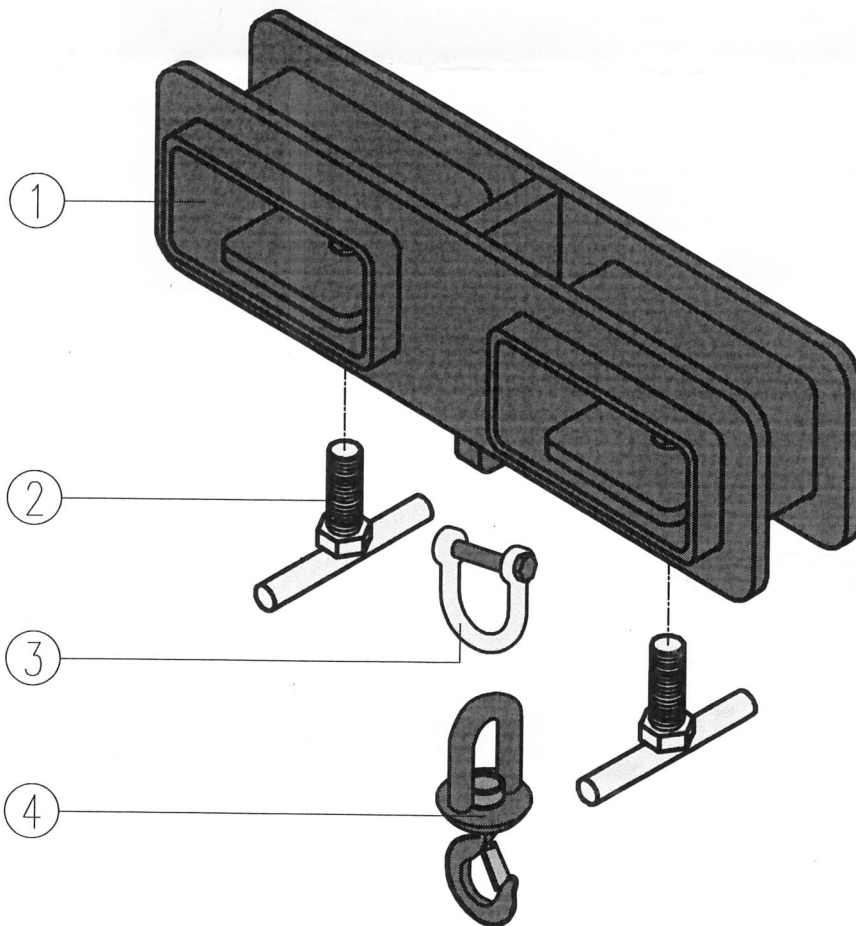


- Converts forklift into a mobile crane in seconds.
- Adjustable along the length of the fork.
- Secured to forks by thumb screw.
- Swivel hook includes safety latch.



Code	Model	Capacity [kg]	Max.Fork Section [mm]	Net Weight [kg]
10201	DK10	1000	140*55	14
10202	DK25	2500	148*56	25
10203	DK50	5000	188*76	45



1	Body
2	Screws
3	U-type Shackle
4	Hook