

MT 732 *easy*



TECHNICAL DATA SHEET



- **Compact dimensions**
l 4.76 m x w 2.34 m x h 2.30 m
- **Max. lifting height : 6.90 m**
Max. capacity : 3.2 T
- **Optimized engine**
Engine Stage 3B without particulate filter

Easy to use



Easy to maintain



Easy to transport



 **MANITOU**

www.manitou.com

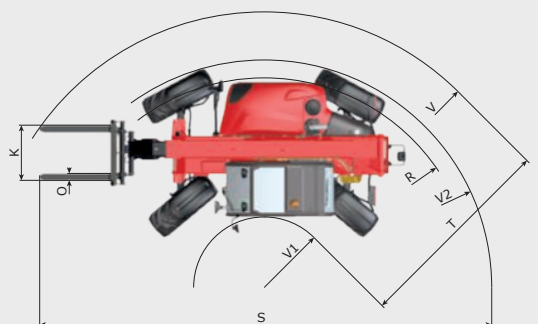
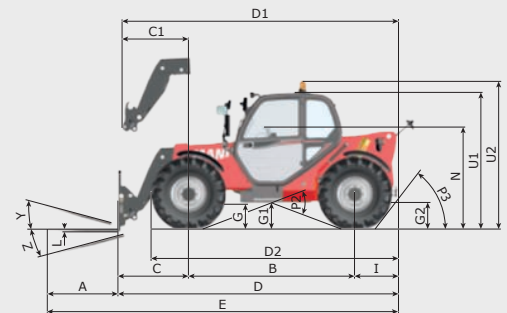
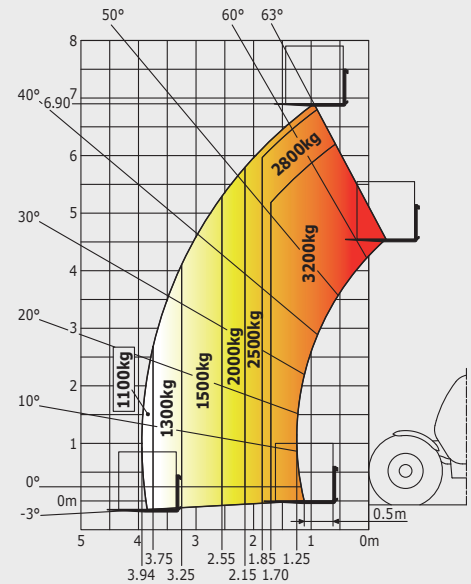
		MT 732
Lifting		
Max. capacity.		3200 kg
Max. lifting height.		6.90 m
Max. outreach		3.94 m
Break-out force with bucket (ISO 8313)		5770 daN
Time unladen		
Lifting		6.8 s
Lowering		5.8 s
Extension		6.8 s
Retraction		4.7 s
Crowd		3 s
Dump		2.9 s
Tyres		400/80-24
Braking		
Service brake	oil immersed multi-disc braking on front/rear axles	
Parking brake	oil immersed multi-disc mechanics on the front axle	
Engine		
	DEUTZ - STAGE 3B- Final Tier IV	
Type	TD 3.6 L	
cubic capacity	3621 cm ³	
Power	75 cv/55.4 kW	
Max. torque	330 Nm	
Injection	electronic	
Cooling	water	
Laden drawbar pull	8 000 daN	
Transmission		
	torque converter	
Reversing shift	electrohydraulic control	
Number of gears (forward/reverse)	4/4	
Max. travel speed (may vary according to applicable regulations)	25 kph	
Steering mode	4 wheel steer - 3 steering modes	
Controls		
	JSM® Joystick multi-function load limiter cut off system - EN15000 Norm	
Hydraulics		
Pump	gear type with priority valve 104 l/min - 260 bar	
Capacities		
Hydraulic oil	128 l	
Fuel	120 l	
Unladen weight (with forks)	6780 kg	
Dimensions		
C. Front wheel centre to carriage	1.19 m	
B. Wheelbase	2.81 m	
I. Rear wheel centre to rear face	0.76 m	
D. Overall length to carriage	4.76 m	
G1. Ground clearance	0.45 m	
J. Overall width of cab	0.89 m	
F. Inside tyre width	1.93 m	
W. Overall width	2.34 m	
U1. Overall height	2.30 m	
Standard forks (length x width x thickness)	1200 x 125 x 45 mm	
Turning radius (over tyres)	3.80 m	
Carriage rotation (crowd/dump)	13° / 134°	
Noise and vibration		
Noise at driving position (LpA)	78 dB	
Environmental noise (LwA)	104 dB	
Vibration to whole hand/arm	<2.50 m/s ²	

mm	D2	4193	J	890	R	3598	V2	3800	
A	1200	E	5961	K	1260	S	6398	W	2340
B	2810	F	1930	L	45	T	3490	Y	13°
C	1193	G	450	N	1715	U	2299	Z	134°
C1	1128	G1	435	O	125	U2	2488		
D	4761	G2	435	P	38°	V	4800		
D1	4696	I	758	P3	53°	V1	1310		

Rough Terrain Load Chart

standard EN1459 B

Machine on tyres with forks



This brochure describes versions and configuration options for MANITOU products which may be fitted with different equipment. The equipment described in this brochure may be standard, optional or not available depending on version. MANITOU reserves the right to change the specifications shown and described at any time and without prior warning. The manufacturer is not liable for the specifications given. For more information, contact your MANITOU dealer. Non-contractual document. Product descriptions may differ from actual products. List of specifications is not comprehensive. The logos and visual identity of the company are the property of MANITOU and may not be used without authorisation. All rights reserved. The photos and diagrams contained in this brochure are provided for information only.

MANITOU BF SA - Limited company with board of directors - Share capital: 39 547 824 euros - 857 802 508 RCS Nantes

